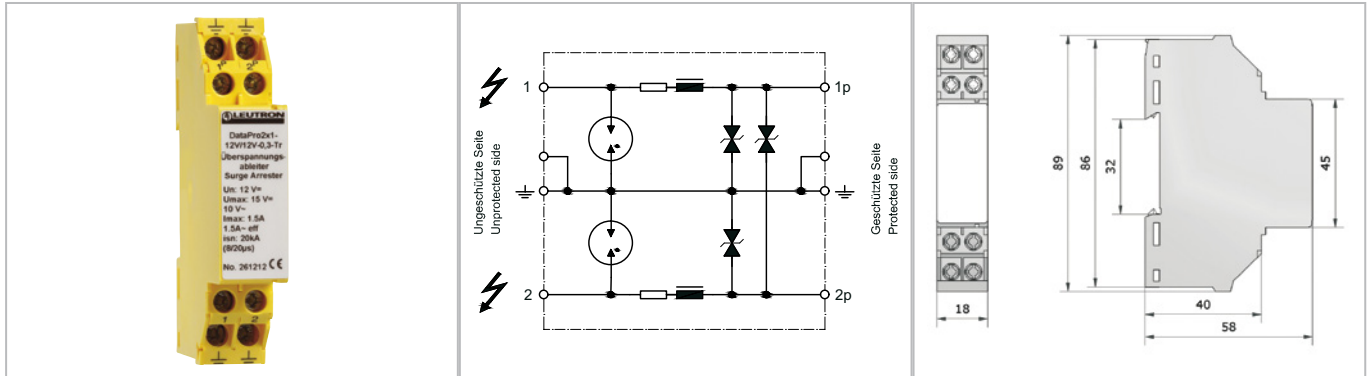


## EMC filter with integrated surge protection



EMC filter for data and signal lines combined with surge protection enables smooth operation of sensitive electronic equipment in rough environment. Lightning current and surge voltage protection for particularly long signal and bus lines. Thanks to the extremely low volume resistance (impedance only 0.3Ω) no noteworthy signal losses occur. It is a combined arrester to protect two single wires. Applicable at the LPZ transition point OA-1 and higher.

- Signal and data line protection with low-pass filter
- Very low volume resistance
- Protective circuit for 2 signal lines with common ground
- Maximum operating current 1.5 A
- Applicable at the boundaries LPZ 0A - 2 and higher
- Mounting on 35 mm DIN rail
- Degree of protection according to IEC EN 60529: IP 20
- Space required for installation: 17.5 mm

Technical Data		DP 2x1-36V/36V-0,3Ω -Tr
IEC category/EN type		D1 / C2 / C1 / C3
Nominal direct voltage	UN	36 V=
Max. continuous operating voltage DC	UC	40 V=
Max. continuous operating voltage AC	UC	29 V~
Nominal current	IN	1,5 A
Series resistance (DC resistance) per line	Z	0,3 Ω
Series inductance, typ. (L)		50 μH
Response time fine protection	tA	≤ 2 ns
C2 nominal discharge current (8/20 μs)	In	10 kA
D1 lightning impulse current (10/350 μs) in total	Itotal	5 kA
D1 lightning impulse current (10/350 μs) per wire	Iimp	2,5 kA
Protection level, residual voltage line-earth at In resp. 1 kV/μs	Up	≤ 55 V
Capacitance, line-earth	C	≤ 1 nF
Max. operating frequency (< 3 dB)	fG	< 600 kHz
Insulation resistance	Risol	> 10 GΩ
Operating temperature range	TU	-25 - +85 °C
Type of connection		Screw terminals
Max. conductor cross section		2.5 single-wire / 1.5 flexible with sleeve mm <sup>2</sup>
Degree of protection (IEC EN 60529)		IP 20
Enclosure material / colour		polycarbonate (halogen-free) UL 94-V0 / yellow

Order Data	
Product	DP 2x1-36V/36V-0,3Ω -Tr
Article-No.	26 36 36